



### QUICK SPECS

Weight	8,322 lbs
Horsepower	40.9 hp
Bucket Capacity	0.65 yd <sup>3</sup>

## Never met a challenge it couldn't handle.

Laying down the law on mounds of rocks and dirt, or quickly moving piles of fertilizer from point

A to point B is easy when you're working with the power and performance of the V4 articulated wheel loader. Because it's a Yanmar, it comes with a powerful, fuel-efficient 40.9-hp water-cooled diesel engine designed to handle jobs you might think would require a bigger machine. Couple that with a more comfortable, operator-friendly cab and this compact loader always comes up big when you need it most.



### INNOVATIVE FEATURES



#### Rear Axle Oscillation

With Rear Axle Oscillation, you can work quickly and more efficiently on uneven ground because the traction force is transmitted securely to the ground. This ensures the bucket or load remains level in operation. And because the effects of slopes and bumps are minimized, operator fatigue is significantly reduced, too.



#### Everything Right at Your Fingertips

The V4-7 comes standard with ECO Mode, 2-speed operation, fully automatic mode, fixed speed mode and a joystick bucket control incorporated right into the operator's station. Plus, you get an innovative LCD monitor, showing key operating information and maintenance notification intervals.



#### Newly Designed Operator Station

Our newly upgraded operator's station has a wider entrance and a suspension seat, a real plus when you've got to spend a long day on the job

## V4-7

POWERFUL, EFFICIENT 40.9-HP WATER-COOLED TIER 4 FINAL YANMAR DIESEL ENGINE

FULLY AUTOMATIC ACCELERATOR MODE

FIXED TRAVEL SPEED MODE FOR ADDED SAFETY IN RESTRICTED AREAS

BATTERY DISCONNECT SWITCH AND EXTERNAL POWER SOCKET

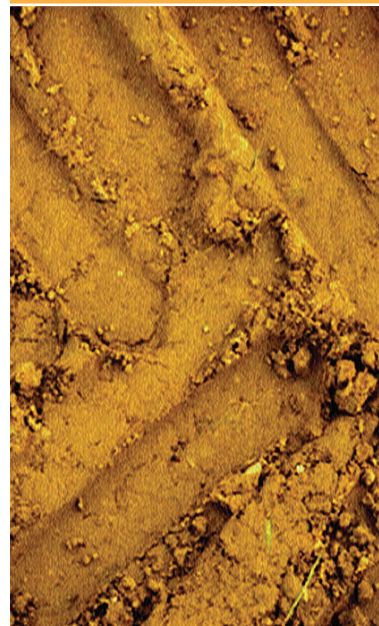
STANDARD PARKING BRAKE PEDAL WITH RELEASE LEVER

AUXILIARY HYDRAULICS W/ PROPORTIONAL CONTROL STANDARD

STANDARD RECLINING SUSPENSION SEAT WITH SEATBELT

EASY MAJOR COMPONENT ACCESS FOR DAILY MAINTENANCE

OPTIONAL ENCLOSED CAB WITH HEAT & A/C



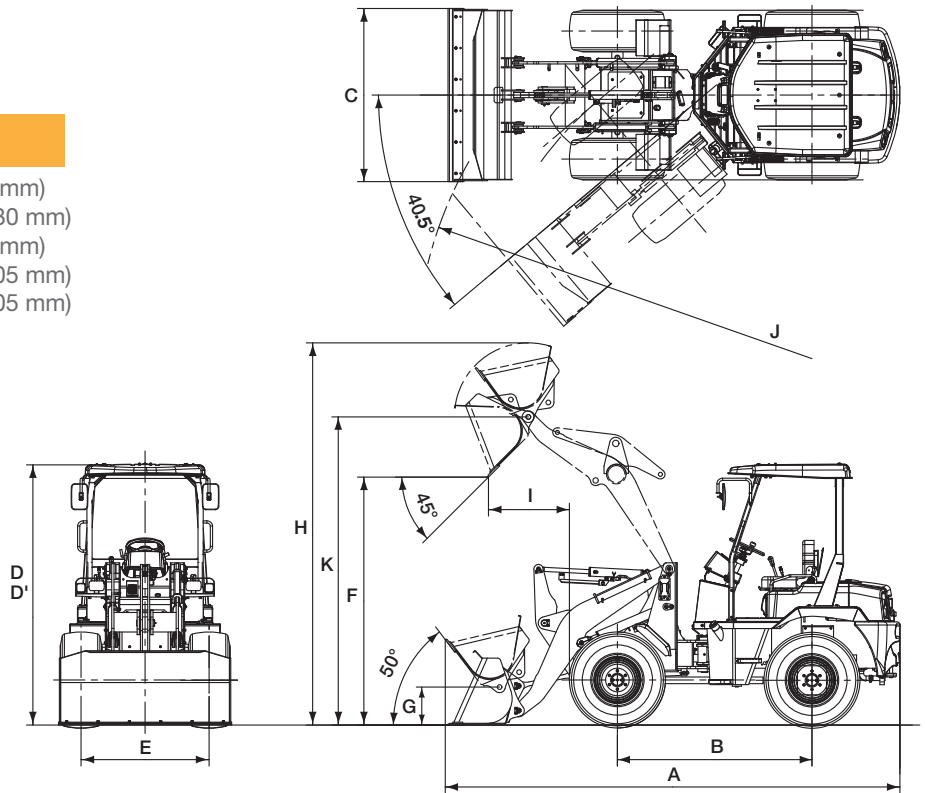
# V4-7

## Dimensions - V4-7

<b>A</b> 14 ft. 6 in. (4425 mm)	<b>G</b> 1 ft. 3 in. (370 mm)
<b>B</b> 6 ft. 2 in. (1880 mm)	<b>H</b> 12 ft. 3 in. (3730 mm)
<b>C</b> 5 ft. 7 in. (1690 mm)	<b>I</b> 2 ft. 7 in. (790 mm)
<b>D</b> 8 ft. 5 in. (2555 mm)	<b>J</b> 12 ft. 6 in. (3805 mm)
<b>D'</b> 8 ft. 4 in. (2545 mm)	<b>K</b> 9 ft. 10 in. (3005 mm)
<b>E</b> 4 ft. 1 in. (1240 mm)	
<b>F</b> 7 ft. 11 in. (2420 mm)	

D: Canopy Specifications

D': Cabin Specifications



## Specifications

Model		V4-7		
<b>Engine</b>	Type	-	Water-cooled 4-cyl. diesel	
	Model	-	4TNV88C-NKAH	
	Output	hp (kw)/rpm	40.9 (30.5) / 2500	
	Displacement	in <sup>3</sup> (cm <sup>3</sup> )	133.6 (2.189)	
<b>Performance</b>	Standard Bucket Capacity	yd <sup>3</sup> (m <sup>3</sup> )	0.65 (0.5)	
	Operating Load	lbs (kN)	2535 (11.2)	
	Lifting Capacity at Low End	lbs (kN)	7451 (33.1)	
	Tipping Load	Straight	lbs (kN)	6070 (27)
		Full Turn	lbs (kN)	5058 (22.5)
	Breakout Force	lbs (kN)	6085 (27.1)	
	Dumping Clearance	ft-in (mm)	7'11" (2420)	
	Traveling Speed	mph (km/h)	11.8 (19.0)	
	Oscillation Angle	degrees	±8	
	Minimum Turning Radius	ft-in (mm)	12'6" (3810)	
Min. Ground Clearance	ft-in (mm)	1'3" (370)		
<b>PTO</b>	Front Hyd. PTO	PSI (kPa)	3000 (20590)	
		GPM (L/min)	14.8 (56.0)	
<b>Steering</b>	Type	Center-Pivot Frame Articulation w/Full Hyd. Power		
	Articulate Angle	degrees	40.5	
<b>Transmission</b>	Type	Automatic Hydrostatic		
<b>Drives</b>	Type	4-Wheel Drive		
<b>Wheels</b>	Type	15.5 / 60 - 18 - 8PR		
<b>Brakes</b>	Type	Fully Enclosed, Mechanical, Wet, Multiple Disc		
<b>Operating Weight</b>	Canopy	lbs (kg)	8014 (3635)	
	Cabin	lbs (kg)	8322 (3774)	
<b>Transport. Dimensions</b>	L x W x H	ft-in (mm)	14'6" x 5'7" x 8'5" (4425 x 1690 x 2555)	

Please note that the standard equipment may vary from this list. Consult your Yanmar dealer for confirmation.